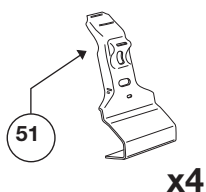
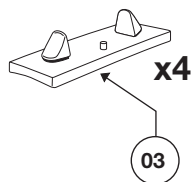
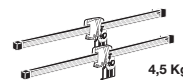
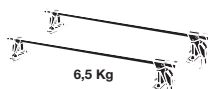
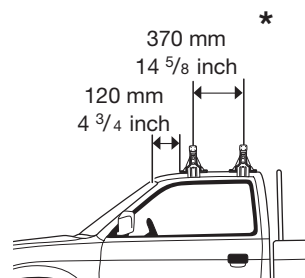
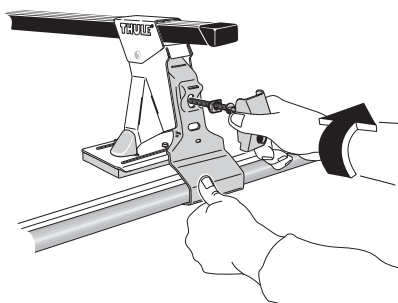


# Thule System Kit 056

**LINCOLN Continental, 88-94**  
**FORD Aerostar, 85-97**  
**FORD Ranger, 93-94**  
**FORD Ranger Double Cabine 4-dr, 98-**



	Front	Rear
<b>LINCOLN Continental, 88-94</b>	990 mm / 39 inch	990 mm / 39 inch
<b>FORD Aerostar, 85-97</b>	1108 mm / 43 <sup>5</sup> / <sub>8</sub> inch	1108 mm / 43 <sup>5</sup> / <sub>8</sub> inch
<b>FORD Ranger, 93-94</b>	1065 mm / 41 <sup>7</sup> / <sub>8</sub> inch	1059 mm / 41 <sup>3</sup> / <sub>4</sub> inch
<b>FORD Ranger Double Cabine 4-dr, 98-</b>	1050 mm / 41 <sup>3</sup> / <sub>8</sub> inch	1050 mm / 41 <sup>3</sup> / <sub>8</sub> inch



\* 370 mm 14 <sup>5</sup>/<sub>8</sub> inch

**IMPORTANT!** Because of the short distance between the load bars, roof boxes, surfboards, bikes and other long loads should not be transported.

